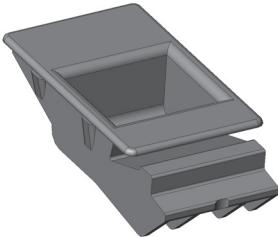
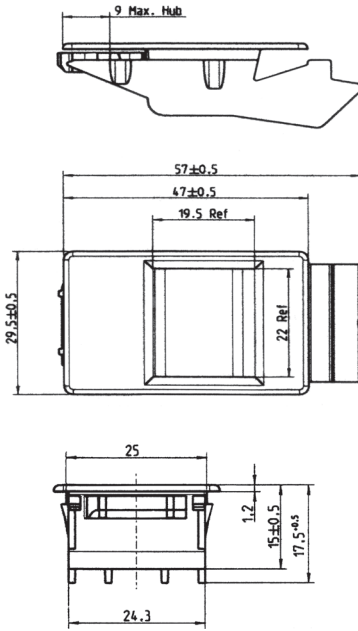
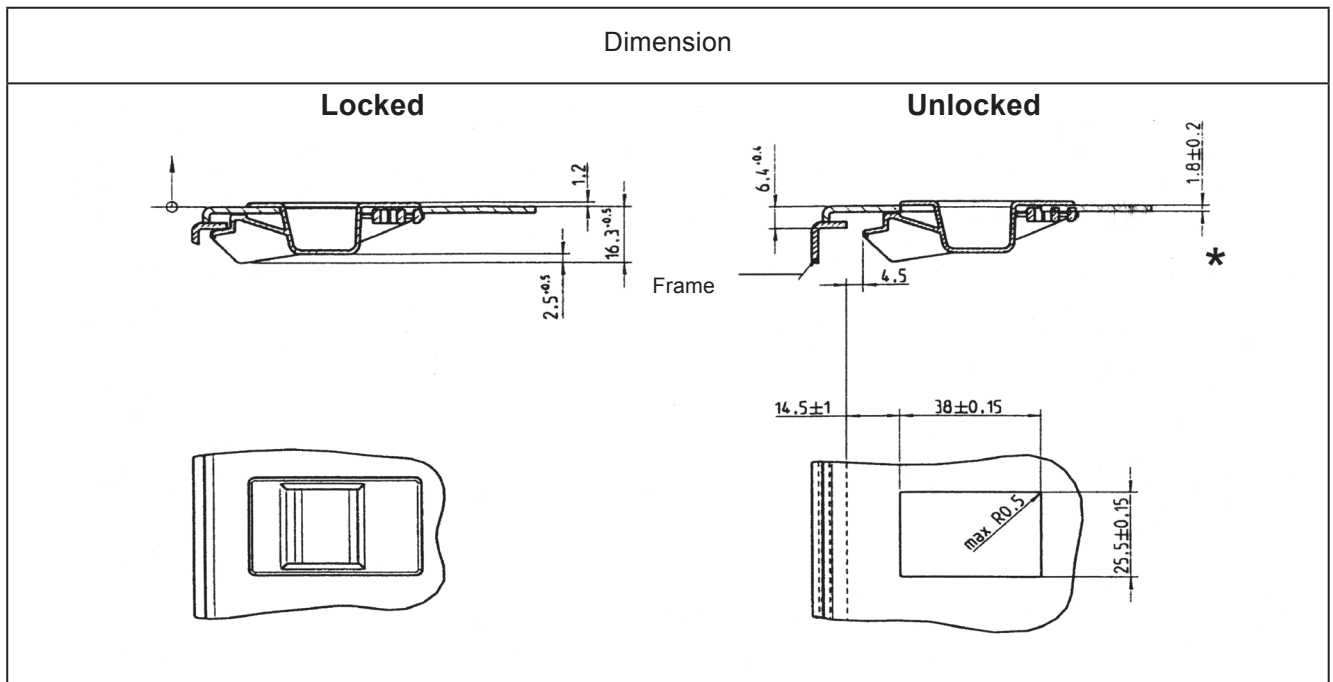




Style	Dimensions	Materials / Finish	°C	Part No.
<p>Slam latch</p> 	 <p>9 Max. Hub</p> <p>57±0.5</p> <p>47±0.5</p> <p>19.5 Ref</p> <p>29.5±0.5</p> <p>22 Ref</p> <p>25</p> <p>1.2</p> <p>15±0.5</p> <p>17.5±0.5</p> <p>24.3</p>	Plastic (POM) black	-10 up to +60	2939L01-01-1K

Installation Instructions



* Other panel thicknesses upon request.