
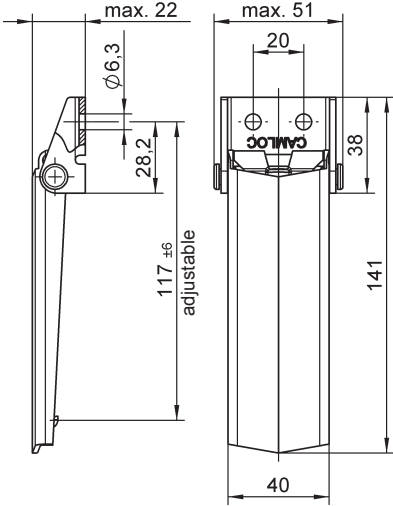

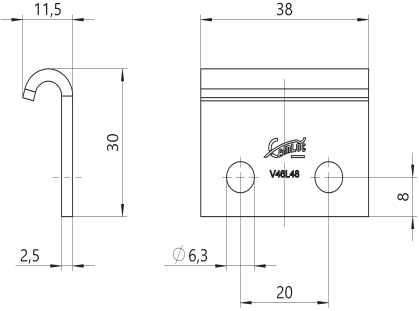




Max. tensile strength 4.500 N, working load 3.000 N.
Adjustable drawhook

Style	Dimensions	Materials / Finish	Mounting Type ¹⁾	D	Part No.
		Steel / zinc-plated, CrVI-free, clear passivation	N	6,3	V46L38-1-6AGV
		Steel / zinc-plated, CrVI-free, clear passivation	S	-	V46L38-1-1AGV

Strike

Style	Dimensions	Materials / Finish	Mounting Type ¹⁾	D	Part No.
		Steel / zinc-plated, iridescent passivated and sealed	N	6,3	V46L48-1-1AGV

¹⁾ Mounting type: N = With hole for riveting or screw fixing
S = Without holes, for welding

Dimensions

Tension latch open base / open strike

