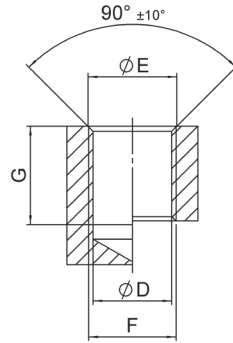
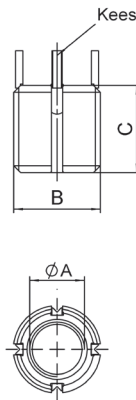
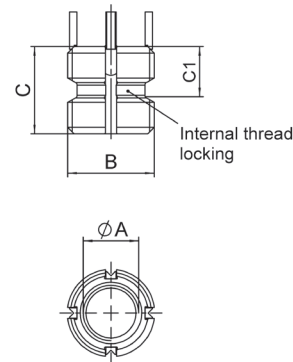




Type "S"



Type "L"

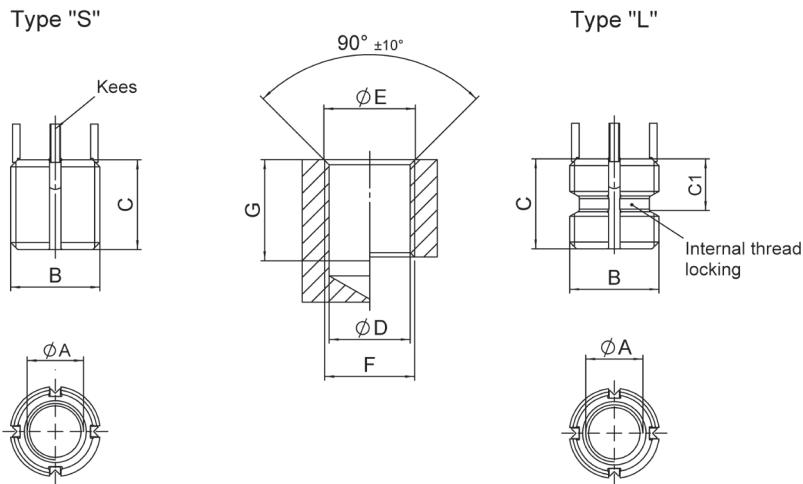


Kees:
Inserts with internal thread size of M6 and under are furnished with 2 locking kees
Inserts with internal thread size of M8 and above are furnished with 4 locking kees

C1 = max. distance to end of thread lock

Part-no.		Dimensions				
Standard type "S"	Locking type "L"	Thread A Ø A class 5H	Thread B Ø B class 4h	Shear engagement mm ²	C ± 0,30	C1
KNHM4X0,7		M4X0,7	M8X1,25	104,9	8	8,0
	KNHML4X0,7			83,1		
KNHM5X0,8		M5X0,8	M10X1,25	177,1	10	8,7
	KNHML5X0,8			152,7		
KNHM6X1,0		M6X1,0	M12X1,25	266,7	12	9,5
	KNHML6X1,0			242,5		
KNHM8X1,25		M8X1,25	M14X1,5	341,6	14	10,0
	KNHML8X1,25			316,4		
KNHM10X1,5		M10X1,5	M16X1,5	470,2	16	10,0
	KNHML10X1,5			441,4		
KNHM12X1,75		M12X1,75	M18X1,5	608,5	18	10,7
	KNHML12X1,75			561,8		

Part-no.	Installation dimensions					Removal dimensions	
	Ø D modified tap drill Ø	Ø E counter- sink Ø + 0,25	Thread F		Hand installation tool part-no.	Drill	
			Ø F class 6H	G min.		Ø	Depth
KNHM4X0,7	6,90 ^{+0,100} -0,025	8,25	M8X1,25	9,5	KRTM4-02 / KNT01-HM4X0,7AU	5,5	4,00
KNHML4X0,7							
KNHM5X0,8	8,80 ^{+0,100} -0,025	10,25	M10X1,25	12,5	KRTM5-02 / KNT01-HM5X0,8AU	7,5	4,75
KNHML5X0,8							
KNHM6X1,0	10,80 ^{+0,100} -0,025	12,25	M12X1,25	14,5	KRTM6-02 / KNT01-HM6X1,0AU	9,5	4,75
KNHML6X1,0							
KNHM8X1,25	12,80 ^{+0,130} -0,025	14,25	M14X1,5	16,5	KRTM8-02 / KNT01-HM8X1,25AU	11,5	4,75
KNHML8X1,25							
KNHM10X1,5	14,75 ^{+0,130} -0,025	16,25	M16X1,5	18,5	KRTM10-02 / KNT01-HM10X15AU	13,5	4,75
KNHML10X1,5							
KNHM12X1,75	16,75 ^{+0,130} -0,025	18,25	M18X1,5	20,5	KRTM12-02 / KNT01-HM12X1,75AU	15,5	4,75
KNHML12X1,75							



Kees:
Inserts with internal thread size of M6 and under are furnished with 2 locking kees
Inserts with internal thread size of M8 and above are furnished with 4 locking kees

C1 = max. distance to end of thread lock

Part-no.		Dimensions				
Standard type "S"	Locking type "L"	Thread A Ø A class 5H	Thread B Ø B class 4h	Shear engagement mm ²	C ± 0,30	C1
KNHM14X2,0		M14X2,0	M20X1,5	770,5	20	12,4
	KNHML14X2,0			724,4		
KNHM16X2,0		M16X2,0	M22X1,5	896,8	22	12,4
	KNHML16X2,0			855,2		
KNHM18X1,5		M18X1,5	M24X1,5	1084,4	24	16,8
	KNHML18X1,5			1051,5		
KNHM20X2,5		M20X2,5	M30X2,0	1774,3	30	17,5
	KNHML20X2,5			1736,4		
KNHM24X3,0		M24X3,0	M33X2,0	2189,4	33	19,0
	KNHML24X3,0			2161,9		

Part-no.	Installation dimensions				Hand installation tool part-no.	Removal dimensions	
	Ø D modified tap drill Ø	Ø E counter-sink Ø + 0,25	Thread F			Drill	
			Ø F class 6H	G min.		Ø	Depth
KNHM14X2,0	18,75 ^{+0,130} _{-0,025}	20,25	M20X1,5	22,5	KRTM14-02 / KNT03- HM14X2,0AU	17,50	4,75
KNHML14X2,0							
KNHM16X2,0	20,50 ^{+0,130} _{-0,025}	22,25	M22X1,5	24,5	KRTM16-02 / KNT03- HM16X2,0AU	17,75	6,35
KNHML16X2,0							
KNHM18X1,5	22,50 ^{+0,130} _{-0,025}	24,25	M24X1,5	26,5	KRTM18-02 / KNT03- HM18X1,5AU	19,75	6,35
KNHML18X1,5							
KNHM20X2,5	28,00 ^{+0,130} _{-0,025}	30,25	M30X2,0	34,5	KRTM20-02 / KNT03- HM20X2,5AU	25,75	6,35
KNHML20X2,5							
KNHM24X3,0	31,00 ^{+0,130} _{-0,025}	33,25	M33X2,0	37,5	KRTM24-02 / KNT03- HM24X3,0AU	28,75	6,35
KNHML24X3,0							